

Thermostatic Radiator Valves and Actuators

V2042H; V2043H One-pipe Steam Thermostatic Radiator Valve

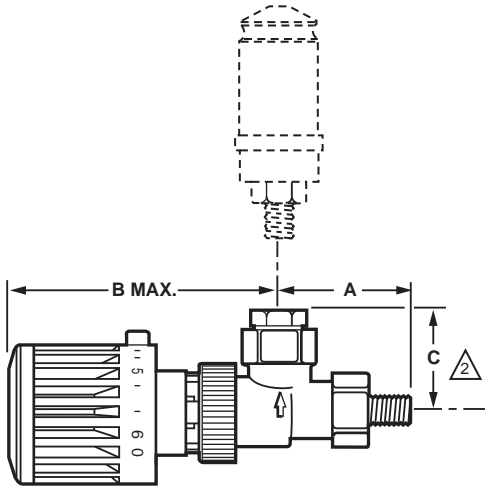


One-Pipe Steam Thermostatic Radiator Valves - Allow automatic temperature control in one-pipe steam or hot water systems for free standing radiators, convectors and other heating units with standard capacity requirements. Provide comfort and energy savings.

- Continually monitors and adjusts room temperature for consistent comfort and relief from under-heating and overheating.
- Adjustable balancing cartridge design made from resilient material (EPDM), ensures tight shut-off on steam and hot water systems.
- Nickel plated brass casted body.
- Replaceable cartridge for easy service with service tool.
- Controls include valve body, steam air vent.
- Used with T100 set point and capillary actuators.
- No electrical connection required for non-electric actuators.
- Normally open without control mounted.

Dimensions in inches (millimeters)

V2042H (Body)/V2043H (Body with Vent)



PIPE SIZE	A IN. (MM)	B MAX IN. (MM)	C IN. (MM)
3/8 INCH	1-11/16 (43)	3-13/16 (97)	1-3/16 (31)

$\triangle 1$ B MAX DIMENSION IS WITH T100A CONTROL INSTALLED.

$\triangle 2$ C DIMENSION IS WITHOUT THE STEAM/AIR VENT INSTALLED.

M17016B

Application: Capacity: Standard

Materials (Body): Nickel Plated Bronze

Differential Pressure Rating:

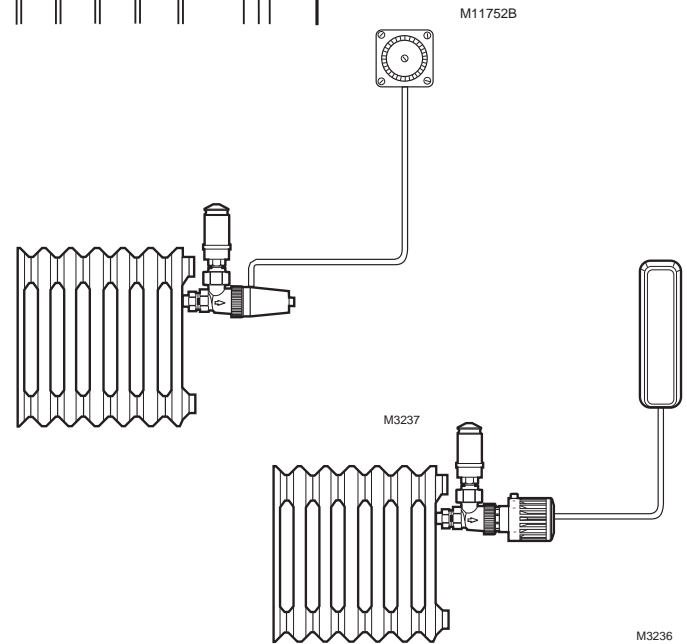
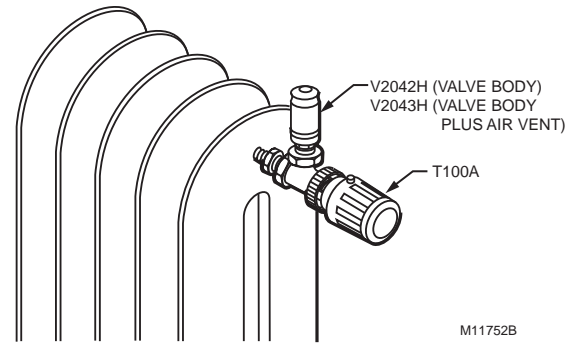
With T100 or T200: 15 psi (103 kPa)

For low noise: 3 psi (20 kPa)

Pressure Ratings (Steam): 15 psi maximum (103 kPa)

Temperature Rating: 248 F Maximum (120 C)

Typical Installations



Hydronic Controls

Product Number	Application	Pipe Size (inch)	Body Pattern	Connection Type	Includes	Used With
V2042HSL10	Angle pattern valve body for one pipe steam systems	1/8 in.	Angle	Threaded	—	T100
V2043HSL10	Thermostatic Radiator Valve Pack. Includes V2042HSL10 body plus steam/air vent. Use for one pipe steam applications.	1/8 in.	Angle	NPT	V2042HSL10 plus steam/air vent	—